



## Introduction

Magnum Ankush MaK-1 DOL Starter with Bhaiyya SPP+Auto – T.P is a step above normal DOL Starters. It comes with an additional Magnum Bhaiyya S.P Preventor which prevents the motor from single and reverse phasing. Also, for user convenience it has an Auto-Start option – which automatically starts the motor on resumption of power supply.

## Magnum Ankush MaK-1 DOL Starter with Bhaiyya SPP+Auto – Three Phase

### Salient Features

1. Powder coated MS enclosure for corrosion resistance & sturdiness.
2. Rugged MaK-1 Contactor with wide voltage band (250V to 440V).
3. Fitted with MaK-1 type relay for reliable overload protection.
4. Fitted with Magnum Bhaiyya Single Phasing Preventor and Auto Start - protects motor from single phasing and phase reversal conditions.
5. A latch on the push button can be used to keep the stop button locked, thus preventing accidental starting.
6. On/Off status is visible through the window provided on top of the enclosure.
7. Easy & quick mounting. Ergonomic design with aesthetic looks.
8. There is a provision for using an auxiliary contact block with configuration 1NO + 1NC.

### Applications

Magnum Three phase direct on-line motor starters are reliable "Workhorses" for domestic, agricultural and industrial applications. Motor Starters are also found in many applications such as drainage, sewage pumping, general industrial pumping and slurry pumping. Also used in,

- \* Pumps/Motors \* Fans
- \* Compressors, Lathes and Other Machinery
- \* Stirrers and mixers

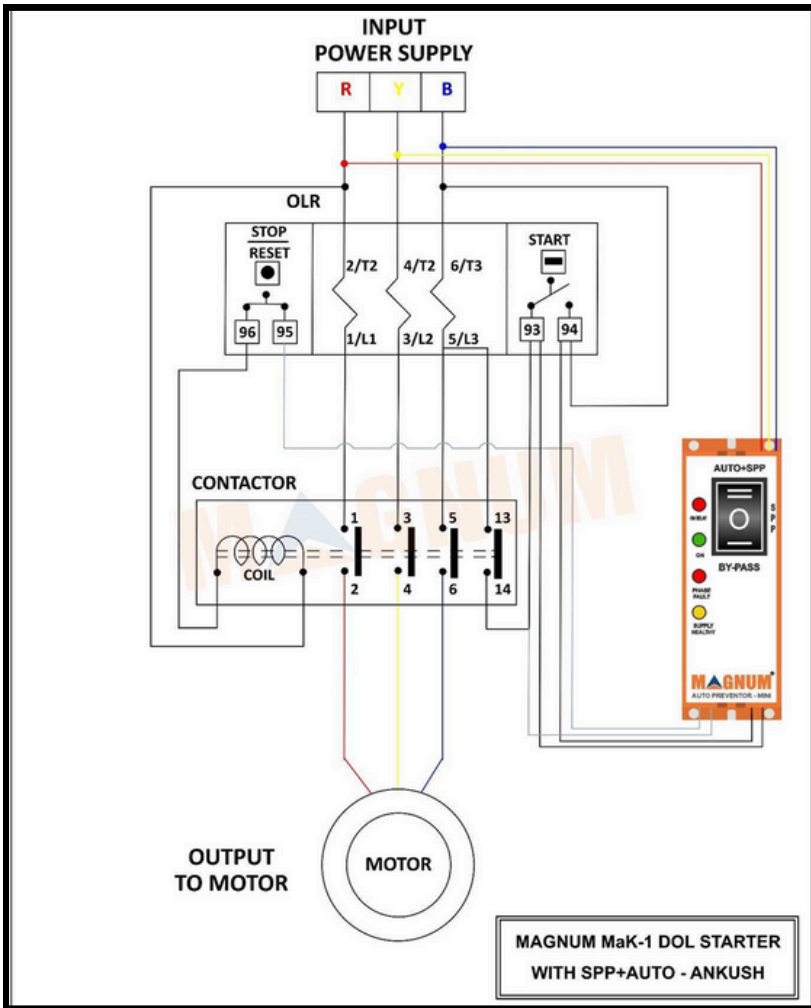
### Functions

1. Switches your pump/ motor on and off.
2. Protects the pump/motor from over-current, single and reverse phasing.
3. Convenience of Auto - Start when power resumes.
4. Trips when there is persistent overload on the motor.
5. Ensures reliable performance in high temperature, humidity & under-voltage conditions.

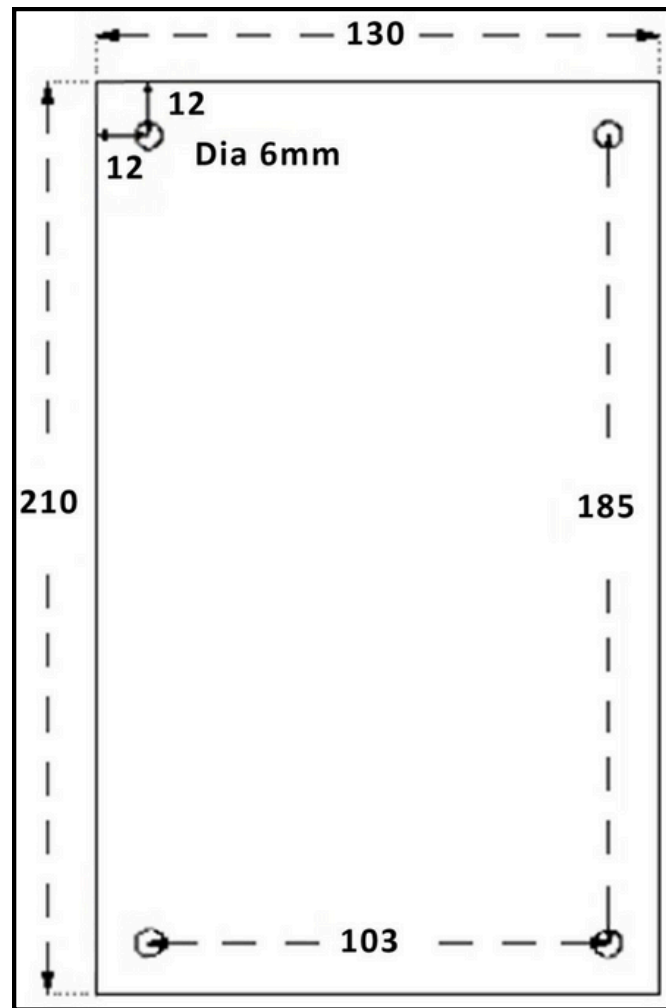
### Technical Specifications

1. Enclosure: Powder Coated Mild Steel
2. Current: AC
3. Operating Voltage: 70% to 105% of coil voltage
4. Pick up voltage: Minimum 70% of coil voltage
5. Drop off voltage: Below 50% of coil voltage
6. Contactor: MaK-1 4 Pole
7. Relay: MaK-1 4 Pole
8. Preventor: Magnum Bhaiyya SPP+Auto
9. Area: (220 \* 140 \*120) mm
10. Net Weight: 1.90 Kilograms
11. Insulation Voltage AC (Vi): 660V
12. Frequency & Ambient Temperature: 50Hz & (-25°C to +55°C)
13. Terminal Capacity: 1 \* 16 mm<sup>2</sup> or 2 \* 10 mm<sup>2</sup>
14. Power range: Up to 10 HP/32A
15. Coil Voltage: 440 V
16. Phase: 3 Phase
17. Number of cable entries: 1+1 (top+bottom)
18. Enclosure cover: Detachable
19. Country of origin: **MADE IN INDIA**

**Circuit Diagram**



**Mounting Template(mm):  
(Not to Scale)**



**Selection & Ordering info.**

<b>Relay Range (Amps)</b>	0.6-1	1.5-2.5	2.5-4	4-6.5	06-10	09-14	11-18	13-21	20-32
<b>Power in H.P.</b>	0.5	1	1.5	2	3	5	7.5	7.5	10
<b>Cat Number</b>	STAK1	STAK2	STAK4	STAK6	STKA10	STKA14	STKA18	STAK21	STAK32
<b>Standard Pkg.</b>	12 units								

**Links**

Product page - - <https://kalpcontrols.com/product/ankush-mak-1-dol-motor-starter/>  
 Video url - <https://www.youtube.com/playlist?list=PLOXFzEEAifm0AKfTTKp0bZKPz8GORCaM>