



## Introduction

Magnum MaC-2 DOL Motor Starter - Three Phase is a powerful controlling device for your motor/pump made with heavy duty components, which switches and protects your device from hazards caused due to over-current. DMC material housing for contactor and relay makes it higher heat resistant.

## Magnum MaC-2 DOL Motor Starter - Three Phase

### Salient Features

1. Powder coated MS enclosure for corrosion resistance & sturdiness.
2. Rugged MaC-2 Contactor with wide voltage band (250V to 440V).
3. Fitted with MaC-2 type relay for reliable overload protection.
4. DMC Housed Contactor and Relay for excellent heat resistance.
5. A latch on the push button can be used to keep the stop button locked, thus preventing accidental starting.
6. On/Off status is visible through the window provided on top of the enclosure.
7. Easy & quick mounting. Ergonomic design with aesthetic looks.
8. There is a provision for using an auxiliary contact block with configuration 1NO + 1NC.

### Applications


Magnum Three phase direct on-line motor starters are reliable "Workhorses" for domestic, agricultural and industrial applications. Motor Starters are also found in many applications such as drainage, sewage pumping, general industrial pumping and slurry pumping. Also used in,

- \* Pumps/Motors
- \* Fans
- \* Compressors, Lathes and Other Machinery
- \* Stirrers and mixers

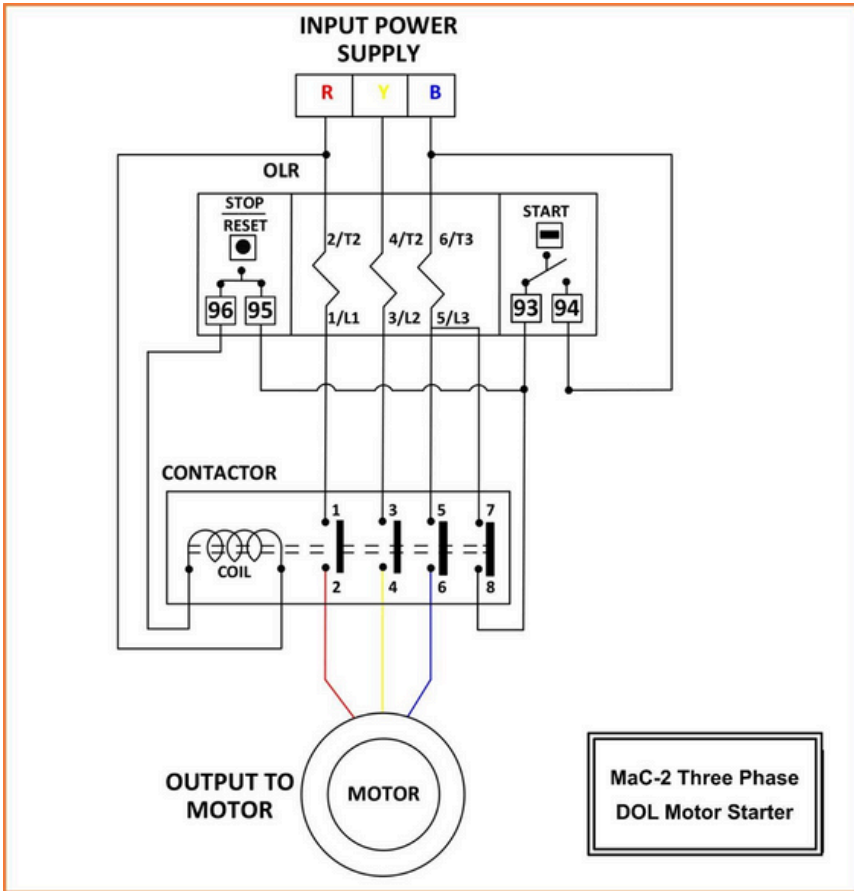
### Functions

1. Switches your pump/ motor on and off.
2. Protects the pump from over-current.
3. Trips when there is a persistent overload on the motor.
4. Ensures reliable performance in high temperatures, humidity & under-voltage conditions.

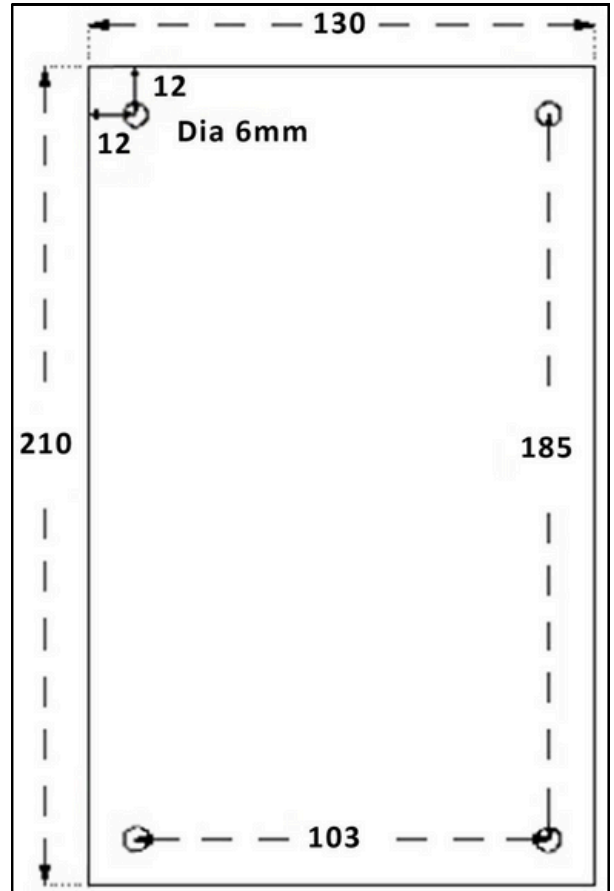
### Technical Specifications

1. Enclosure: Powder Coated Mild Steel
2. Current: AC
3. Operating Voltage: 70% to 105% of coil voltage
4. Pick up voltage: Minimum 70% of coil voltage
5. Drop off voltage: Below 50% of coil voltage
6. Contactor : MaC-2 4 Pole
7. Relay : MaC-2 4 Pole
8. Area: (220 \* 140 \*120) mm
9. Net Weight: 1.85 - 2.0 Kilograms
10. Insulation Voltage AC (Vi): 660V
11. Frequency & Ambient Temperature: 50Hz & (-25°C to +55°C)
12. Terminal Capacity: 1 \* 16 mm<sup>2</sup> or 2 \* 10 mm<sup>2</sup>
13. Power range: Up to 10 HP/32A
14. Coil Voltage: 440 V
15. Phase: 3 Phase
16. Number of cable entries: 2+2 (top+bottom)
17. Enclosure cover: Detachable
18. Country of origin: 

**Circuit Diagram**



**Mounting Template (mm):  
(Not to Scale)**



**Selection & Ordering info.**

Relay Range (Amps)	2.5-4	4-6.5	06-10	09-14	11-18	13-21	20-32
Power in H.P.	1.5	2	3	5	7.5	7.5	10
Cat Number (MaC-2)	STDC4	STDC6	STDC10	STDC14	STDC18	STDC21	STDC32
Cat Number (MaC-2 HD)	STDCH4	STDCH6	STDCH10	STDCH14	STDCH18	STDCH21	STDCH32
Carton Pkg.	12 units						

**Links**

Product page - <https://kalpcontrols.com/product/dol-motor-starter-dmc/>  
 Video url - [https://www.youtube.com/playlist?list=PLOXFzEEAifnp1eViDJKIn8rI\\_i4\\_uSe](https://www.youtube.com/playlist?list=PLOXFzEEAifnp1eViDJKIn8rI_i4_uSe)