



Introduction

Magnum MaK-1 DOL Motor Starter Three Phase is a powerful controlling device for your motor/pump made with heavy duty components, which switches and protects your device from hazards caused due to over-current.

Magnum MaK-1 DOL Motor Starter Three Phase

Salient Features

1. Powder coated MS enclosure for corrosion resistance & sturdiness.
2. Rugged MaK-1 Contactor with wide voltage band (250V to 440V).
3. Fitted with MaK-1 type relay for reliable overload protection.
4. A latch on the push button can be used to keep the stop button locked, thus preventing accidental starting.
5. On/Off status is visible through the window provided on top of the enclosure.
6. Easy & quick mounting. Ergonomic design with aesthetic looks.
7. There is a provision for using an auxiliary contact block with configuration 1NO + 1NC.

Applications

Magnum Three phase direct on-line motor starters are reliable "Workhorses" for domestic, agricultural and industrial applications. Motor Starters are also found in many applications such as drainage, sewage pumping, general industrial pumping and slurry pumping.


Also used in,

- * Pumps/Motors
- * Fans
- * Compressors, Lathes and Other Machinery
- * Stirrers and mixers

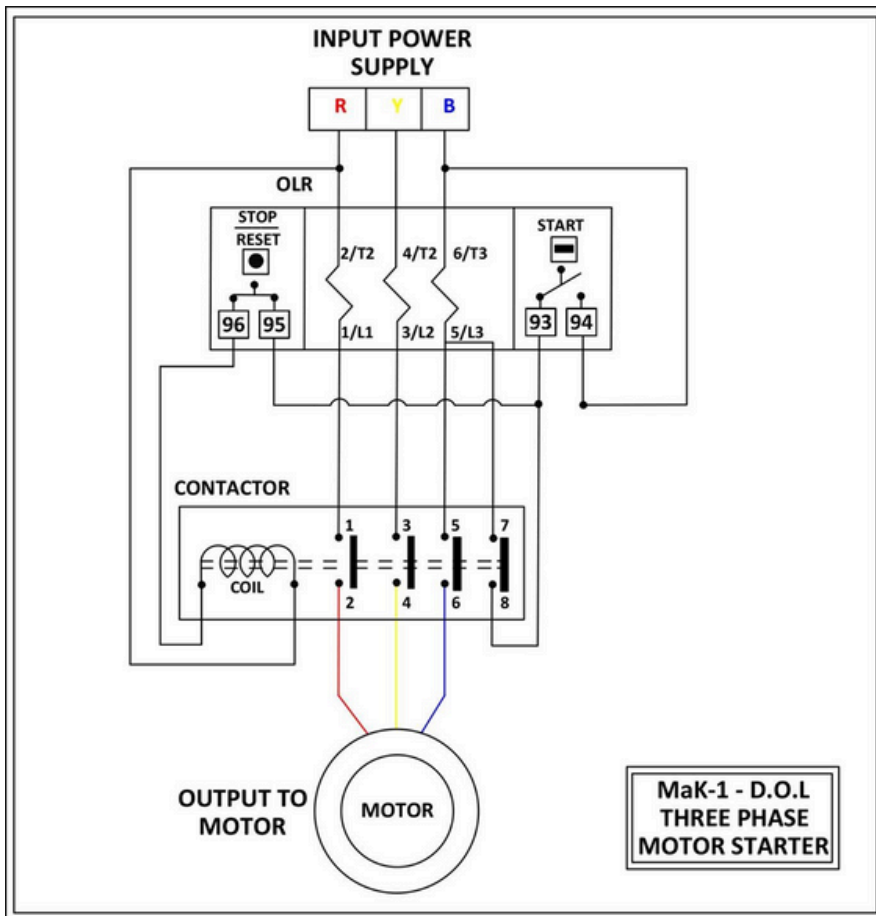
Functions

1. Switches your pump/ motor on and off.
2. Protects the pump from over-current.
3. Trips when there is a persistent overload on the motor.
4. Ensures reliable performance in high temperatures, humidity & under-voltage conditions.

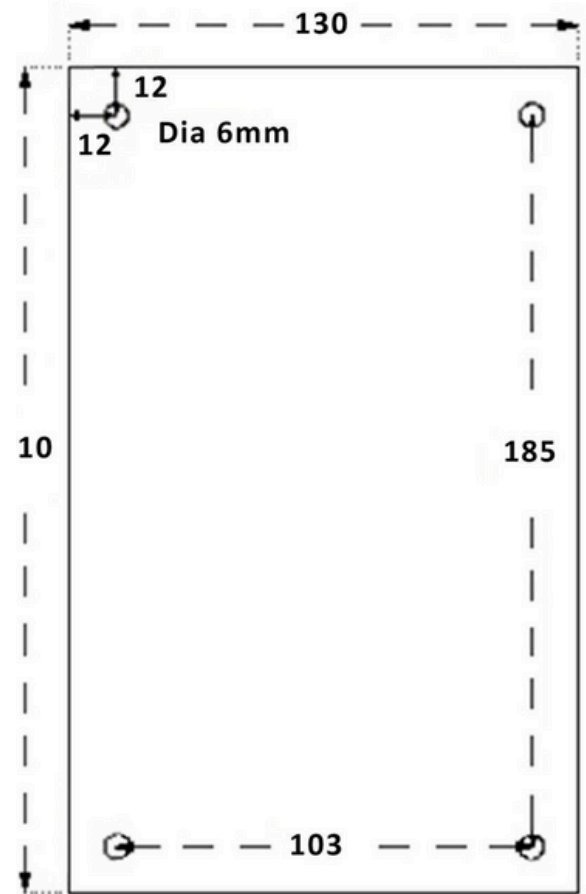
Technical Specifications

1. Enclosure: Powder Coated Mild Steel
2. Current: AC
3. Operating Voltage: 70% to 105% of coil voltage
4. Pick up voltage: Minimum 70% of coil voltage
5. Drop off voltage: Below 50% of coil voltage
6. Contactor : MaK-1 4 Pole
7. Relay : MaK-1 4 Pole
8. Area: (220 * 140 *120) mm
9. Net Weight: 1.85 - 2.0 Kilograms
10. Insulation Voltage AC (Vi): 660V
11. Frequency & Ambient Temperature: 50Hz & (-25°C to +55°C)
12. Terminal Capacity: 1 * 16 mm² or 2 * 10 mm²
13. Power range: Up to 10 HP/32A
14. Coil Voltage: 440 V
15. Phase: 3 Phase
16. Number of cable entries: 2+2 (top+bottom)
17. Enclosure cover: Detachable
18. Country of origin: 

Circuit Diagram



Mounting Template (Not to Scale)



Selection & Ordering info.

Relay Range (Amps)	0.6-1	1.5-2.5	2.5-4	4-6.5	06-10	09-14	11-18	13-21	20-32
Power in H.P.	0.5	1	1.5	2	3	5	7.5	7.5	10
Cat Number (MaK-1)	STK1	STK2	STK4	STK6	STK10	STK14	STK18	STK21	STK32
Cat Number (MaK-1 HD)	STKH1	STKH2	STKH4	STKH6	STKH10	STKH14	STKH18	STKH21	STKH32
Standard Pkg.	12/range								

Links

Product page - <https://kalpcontrols.com/product/dol-motor-starter-mak-1-series/>
 Video url - <https://www.youtube.com/playlist?list=PLOXFzEEAifmIIBeJck4ARY-UrAZ37HQn>
 Shop - <https://shop.kalpcontrols.com/products/magnum-mak-1-dol-motor-starter>