



Introduction

Magnum MaCHK-1 Dol Motor Starter - S.P is a powerful controlling device for your motor made with heavy duty components, which switches and protects your device from hazards caused due to over-current.

Magnum MaCHK-1 Dol Motor Starter - Single Phase

Salient Features

1. Powder coated MS enclosure for corrosion resistance & sturdiness.
2. Rugged MaCH Contactor with wide voltage band (150V to 240V).
3. Fitted with MaK-1 type relay for reliable overload protection.
4. A latch on the push button can be used to keep the stop button locked, thus preventing accidental starting.
5. Easy & quick mounting. Ergonomic design with aesthetic looks.

Applications

Magnum Single phase direct on-line motor starters are reliable "Workhorses" for domestic, agricultural and industrial applications. Motor Starters are also found in many applications such as drainage, sewage pumping, general industrial pumping and slurry pumping. Also used in,

- * Motors
- * Fans
- * Compressors, Lathes and other machinery
- * Stirrers and mixers

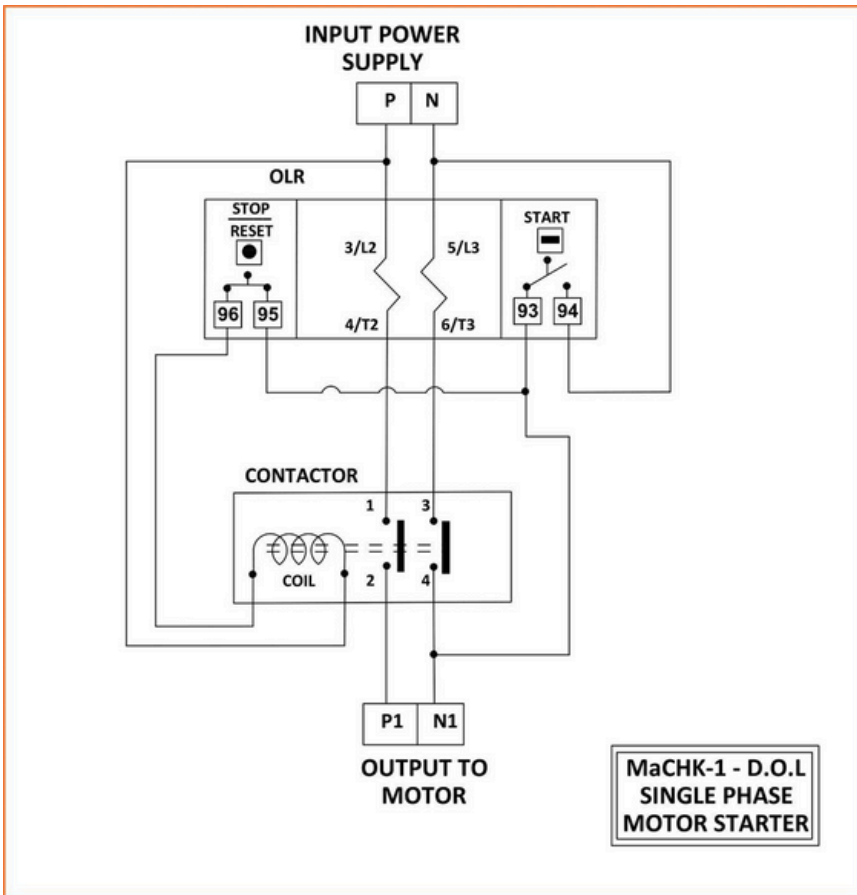
Functions

1. Switches your motor on and off.
2. Protects the motor from over-current.
3. Trips when there is a persistent overload on the motor.
4. Ensures reliable performance in high temperatures, humidity & under-voltage conditions.

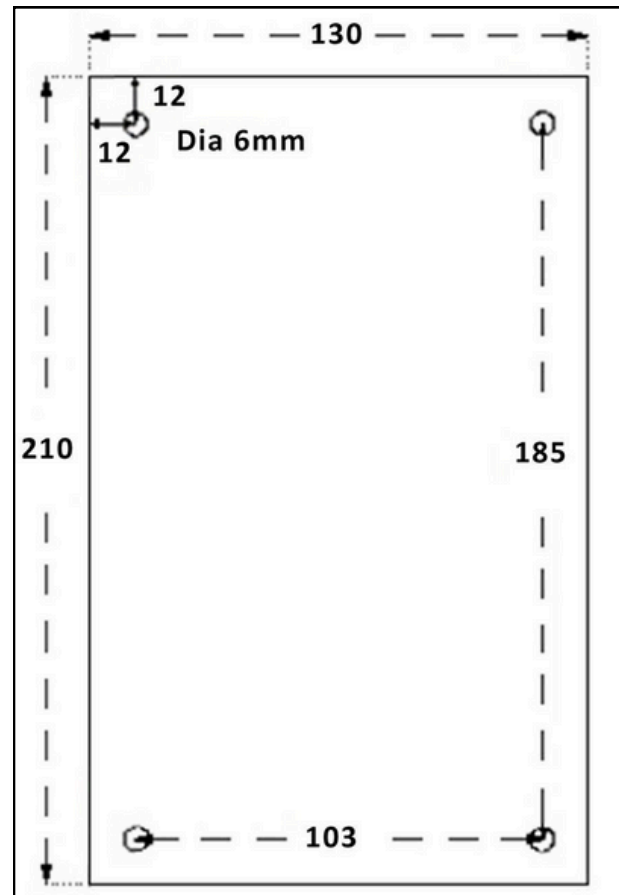
Technical Specifications

1. Enclosure: Powder Coated Mild Steel
2. Current: AC
3. Operating Voltage: 70% to 105% of coil voltage
4. Pick up voltage: Minimum 70% of coil voltage
5. Drop off voltage: Below 50% of coil voltage
6. Contactor: MaCHK-1 2 Pole
7. Relay: MaK-1 2 Pole
8. Area: (220 * 140 * 120) mm
9. Net Weight: 1.6 - 1.8 Kilograms
10. Insulation Voltage AC (Vi): 660V
11. Frequency & Ambient Temperature: 50Hz & (-25°C to +55°C)
12. Terminal Capacity: 1 * 16 mm² or 2 * 10 mm²
13. Power range: Up to 3 HP/32A
14. Coil Voltage: 220 V
15. Phase: Single Phase
16. Number of cable entries: 2+2 (top+bottom)
17. Enclosure cover: Detachable
18. Country of origin: **MADE IN INDIA**

Circuit Diagram



**Mounting Template (mm):
(Not to Scale)**



Selection & Ordering info.

RelayRange (Amps)	1.5-2.5	2.5-4	4-6.5	6-10	9-14	11-18	13-21	20-32
Power in H.P.	0.25	0.5	0.5	1	1.5	2	2	3
Cat Number (MaCHK-1)	SSCK2	SSCK4	SSCK6	SSCK10	SSCK14	SSCK18	SSCK21	SSCK32
Standard Pkg.	12 units							

Links

Product page- <https://kalpcontrols.com/product/machk-1-single-phase-dol-starter/>
 Video url- <https://www.youtube.com/playlist?list=PLOXFfzEEAifmXmvuXFTCzXfAN5zZyNr71>
 Shop - <https://shop.kalpcontrols.com/products/magnum-machk-1-dol-motor-starter-s-p>