



Introduction

Magnum MUK-1 DOL Motor Starter - T.P. is a powerful controlling device for your motor/pump made with heavy duty components. It is a combination of robust MaU Contactor and reliable MaK-1 O.L Relay in the MAK-1 DOL Enclosure making it a heavy-duty starter compared to MaK-1 and lower priced one when compared to MaU.

Magnum MuK-1 DOL Motor Starter - Three Phase

Salient Features

1. Powder coated MS enclosure for corrosion resistance & sturdiness.
2. Rugged and heavy-duty Mau Contactors for extra load with a wide voltage band (250V to 440V).
3. Fitted with MaK-1 type relay for reliable overload protection.
4. A latch on the push button can be used to keep the stop button locked, thus preventing accidental starting.
5. Easy & quick mounting. Ergonomic design with aesthetic looks.
6. There is a provision for using an auxiliary contact block with configuration 1NO + 1NC.

Applications


Magnum Three phase direct on-line motor starters are reliable "Workhorses" for domestic, agricultural and industrial applications. Motor Starters are also found in many applications such as drainage, sewage pumping, general industrial pumping and slurry pumping. Also used in,

- * Pumps/Motors
- * Fans
- * Compressors, Lathes and Other Machinery
- * Stirrers and mixers

Functions

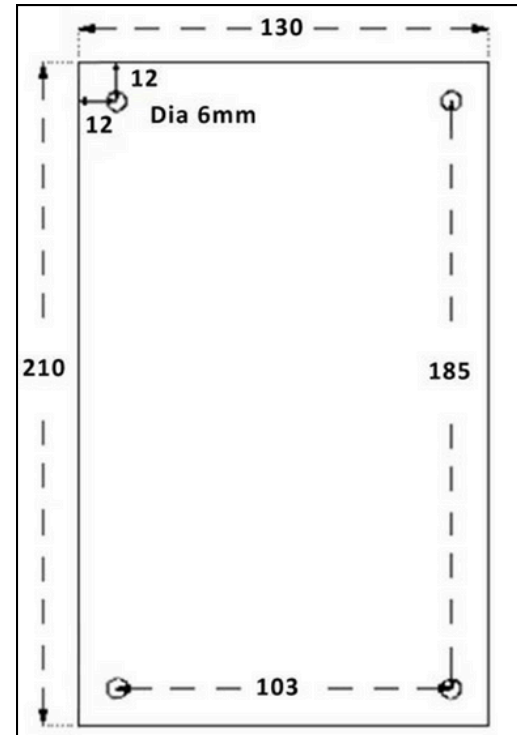
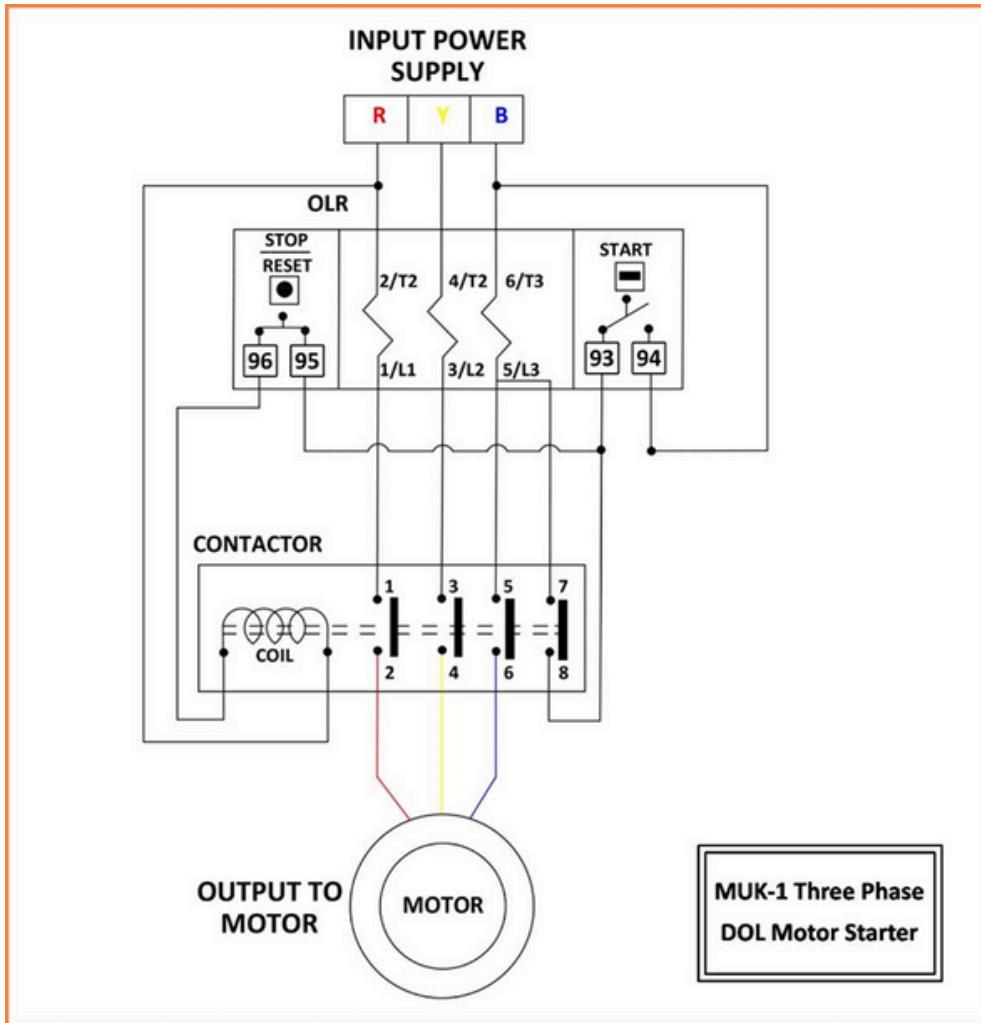
1. Switches your pump/ motor on and off.
2. Protects the pump from over-current.
3. Trips when there is a persistent overload on the motor.
4. Ensures reliable performance in high temperatures, humidity & under-voltage conditions.

Technical Specifications

1. Enclosure: Powder Coated Mild Steel
2. Current: AC
3. Operating Voltage: 70% to 105% of coil voltage
4. Pick up voltage: Minimum 70% of coil voltage
5. Drop off voltage: Below 50% of coil voltage
6. Contactor: MaU 4 Pole
7. Relay: MaK-1 4 Pole
8. Area: (220 * 140 * 120) mm
9. Net Weight: (1.6 - 1.8) Kilograms
10. Insulation Voltage AC (Vi): 660V
11. Frequency & Ambient Temperature: 50Hz & (-25°C to +55°C)
12. Terminal Capacity: 1 * 16 mm² or 2 * 10 mm²
13. Power range: Up to 12.5 HP/32A
14. Coil Voltage: 440 V
15. Phase: 3 Phase
16. Number of cable entries: 2+2 (top+bottom)
17. Enclosure cover: Detachable
18. Country of origin: 

Circuit Diagram

**Mounting Template (mm):
(Not to Scale)**



Selection & Ordering info.

Relay Range (Amps)	06-10	09-14	11-18	13-21	20-32	20-32
Power in H.P.	3	5	7.5	7.5	10	12.5
Model	Mu1K1(10)	Mu1K1(16)	Mu1K1(16)	Mu2K1(25)	Mu2K1(25)	Mu3K1(32)
Cat Number	STUKH110	STUK116	STUK118	STUK221	STUK232	STUK332
Carton Pkg.	12 units					

Links

Product page - <https://kalpcontrols.com/product/muk-1-dol-motor-starter/>
 Video url - <https://www.youtube.com/playlist?list=PLOXFfzEEAifnYCI9YR3-FJLSjhRPo8gew>