



Magnum Sanket Nipun - RYB Indication with A&V Metering


Introduction

Magnum Sanket Nipun - RYB Indication with A&V Metering has three LED's for R, Y and B phase supply indication. Also amongst them, 2 of the LED/s show Amps and Volts separately.

Salient Features

- 1.Engineered enclosure which withstands high temperature and is free from corrosion unlike the metal ones.
- 2.Heavy Duty Components and Wiring.
3. Ergonomic design with aesthetic looks.
- 4.Digital metering panel.
- 5.Can be connected to any product which works on Three Phase supply

Technical Specifications

- 1.Rated Operating Voltage: 380-440V
- 2.Area: (147x70x60) mm
- 3.Net Weight: 260-270 grams
- 4.Frequency: 50Hz
- 5.Insulation Voltage Ac (Vi) : 660V
- 6.Ambient Temperature: -25°C to +55°C
- 7.Enclosure: Engineered ABS
- 8.Current: AC
- 9.Number of cable entries: 1+1 (right + left)
- 10.Enclosure cover: detachable
- 11.Country of origin: 

Functions

Below is the behaviour of the indicating lamps and are applicable only for the Incoming Power Supply.

1)R-Phase Indicator

- a. If R Phase Supply is present, will show solid Red Light and Voltage between R & Y Phase
- b. If R Phase Supply is not present, LED will blink vigorously and will not show any voltage. This is a sign that it is Single Phasing Condition and motor should not be started at this point of me.

2)Y- Phase Indicator

- a. If Y Phase Supply is present, will show solid bright Yellow Light.
- b.If Y Phase Supply is not present, LED brightness will diminish and will be pale yellow. Also, Voltage shown across the R Phase Indicator will substantially reduce. This is a sign that it is Single Phasing Condition and motor should not be started at this point of me.

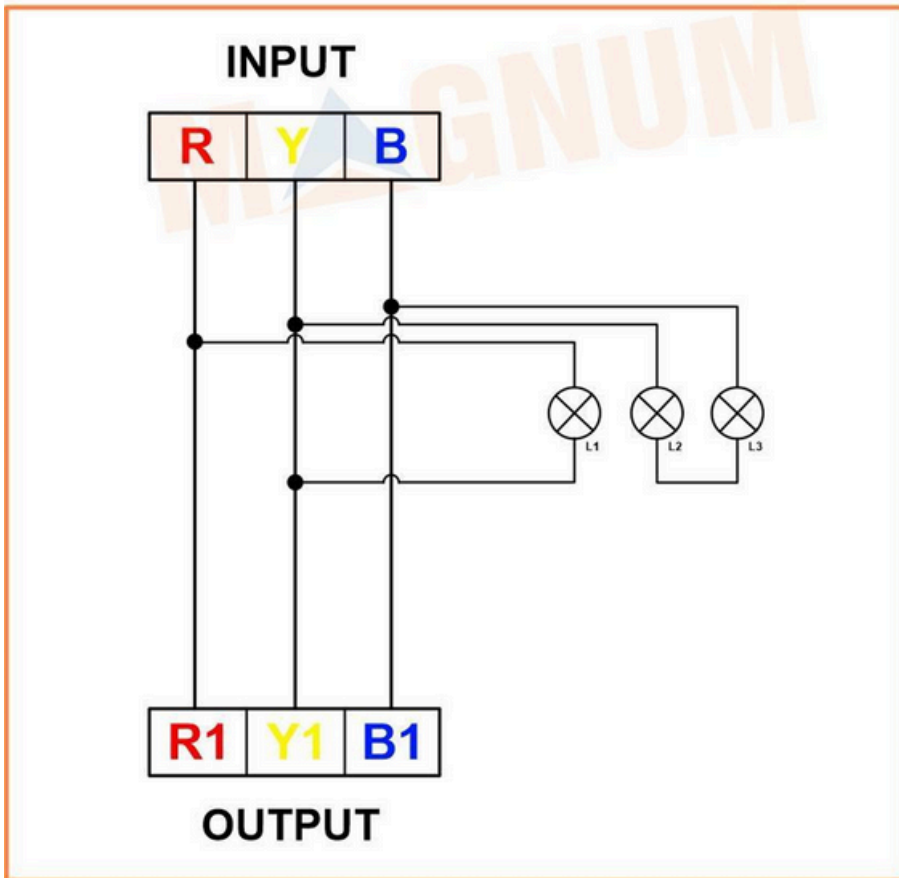
- 3)B-Phase Indicator
- a. If B Phase Supply is present, it will show solid Blue Light and Current (Amps) Drawn of B Phase.
 - b. If B Phase Supply is not present, LED will not glow, this is a sign that it is Single Phasing Condition and motor should not be started at this point of me.

Applications

Magnum three phase metering panels are reliable measurement devices for domestic, industrial and agricultural installations. They may be used for metering of –

- DOL Motors
- Pumps
- Any three phase metering

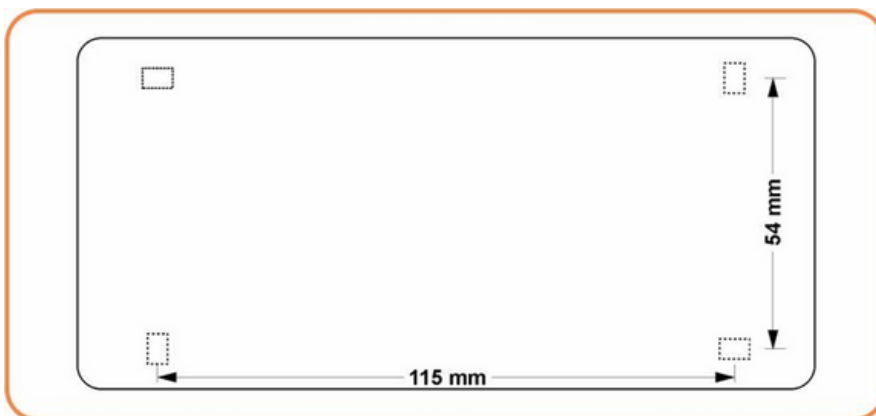
Circuit Diagram



Selection & Ordering info.

Cat Number	MPSN30	MPSN60
Rating	30A, 500V	60A, 500V
Std.pkg.	12/range	

Mounting Template (mm): (Not to Scale)



Links

Product page - <https://kalpcontrols.com/product/sanket-nipun-metering-panel/>