

# MAGNUM<sup>®</sup>

More Power, Better Controls

## USER MANUAL

### NIPUN SANKET

## RYB INDICATION WITH VOLTS & AMPS METERING

To find more about us and our products, scan below QR codes



*Facebook*



*Videos*



*Website*

## KALP CONTROLS

Unit 1 : #40, 2<sup>nd</sup> Main Road, Pete Chennappa Industrial Estate,  
Kamakshipalya, Magadi Road, Bangalore-560079. (India)

Website: [www.kalpcontrols.com](http://www.kalpcontrols.com)

For queries and suggestions mail us to [info@kalpcontrols.com](mailto:info@kalpcontrols.com)

**Customer Care No: +91-8884759222**

## INDEX

Sl. No.	Topic	PG.NO.
1	Introduction	3
2	About Nipun Sanket	4
3	Installation and Instructions	6
4	Mounting Template	7
5	Technical Specifications and Configuration	7
6	Circuit Diagram	8
7	Precautions and Maintenance	9
8	Spares and Assemblies Available	9
9	Warranty Card and Policy	10

## INTRODUCTION

**Dear Customer,**

Congratulations on purchase of MAGNUM RYB INDICATION WITH VOLTS & AMPS METERING- NIPUN SANKET. Magnum Nipun Sanket is a reliable metering device and Phase Indicator for domestic, industrial and agricultural installations.

Located in Bangalore, Kalp Controls commenced its operations in the year 2009. At Kalp Controls, we are focused on offering you heavy duty,

1. Submersible Pump Panel - DOL & Star Delta
2. Open Well Pump Panel
3. Starters - DOL & Start Delta
4. Single Phasing Preventer & Auto Start Unit.
5. Spares like Contactor, Relay, Capacitor, Meters etc.

## ABOUT MAGNUM NIPUN SANKET

Magnum RYB Indication with Volts & Amps Metering - Nipun Sanket is a precision metering device for any products working on three phase. It is made with high quality raw materials and comes in two variants,

- a) 30A/500V - Device built to measure upto 30 Amps & 500 Volts
- b) 60A/500V - Device built to measure upto 60 Amps & 500 Volts

### Functions

Below is the behaviour of the indicating lamps and are applicable only for the Incoming Power Supply .

#### 1) R-Phase Indicator

- a. If R Phase Supply is present, will show solid Red Light and Voltage between R & Y Phase
- b. If R Phase Supply is not present, LED will blink vigorously and will not show any voltage. This is a sign that it is Single Phasing Condition and motor should not be started at this point of time.

#### 2) Y- Phase Indicator

- a. If Y Phase Supply is present, will show solid bright Yellow Light.

b. If Y Phase Supply is not present, LED brightness will diminish and will be pale yellow . Also Voltage shown across the R Phase Indicator will substantially reduce. This is a sign that it is Single Phasing Condition and motor should not be started at this point of time.

### **3) B-Phase Indicator**

- a. If B Phase Supply is present, it will show solid Blue Light and Current(Amps) Drawn of B Phase.
- b. If B Phase Supply is not present, LED will not glow, this is a sign that it is Single Phasing Condition and motor should not be started at this point of time.

### **Salient Features**

1. Engineered enclosure which withstands high temperature and is free from corrosion unlike the metal ones.
2. Heavy Duty Components and Wiring.
3. Ergonomic design with aesthetic looks.
4. Can be connected to any product which works on Three Phase supply.

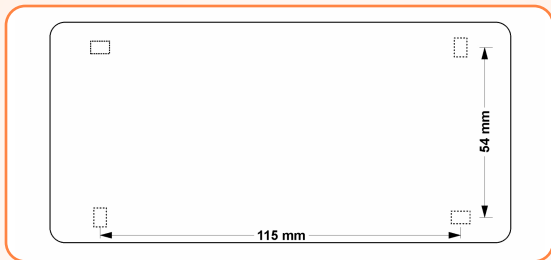
## INSTALLATION INSTRUCTIONS

1. Drill holes with the help of the given template.
2. Mount the panel tight and straight.



3. Connection,
  - Connect the Input Cables **Red, Yellow, Blue** to the supply terminals as shown in the above figure.
  - Connect the Output Cables **Red, Yellow, Blue** to the motor starter/load as shown in the above figure.

## MOUNTING TEMPLATE (Not to scale)



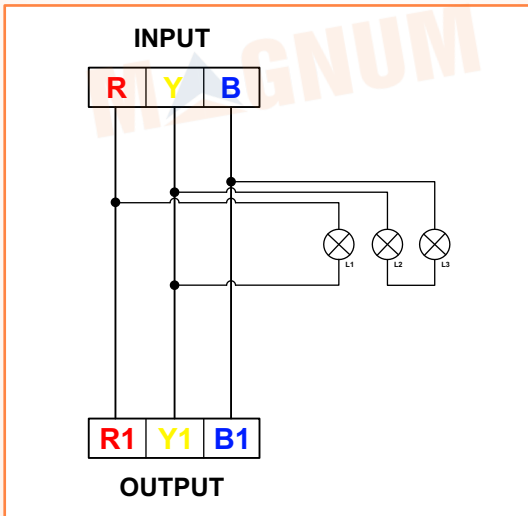
## TECHNICAL SPECIFICATIONS

1. Rated Operating Voltage : 380-440V
2. Area : (147x70x60)mm
3. Net Weight : 260-270 grams
4. Frequency : 50Hz
5. Insulation Voltage Ac (Vi) : 660V
6. Ambient Temperature : -25°C to +55°C

## Normal Configuration of the Panel

SL NO	Catalogue No.	Voltmeter (V)	Ammeter (A)
1	MPSN30	500	100
2	MPSN60	500	100

## CIRCUIT DIAGRAM





## PRECAUTIONS & MAINTENANCE

1. It is very important to keep the Panel away from water or moisture. In very humid places it is strongly recommended to keep it in a closed setting.
2. The best way for prolonged life of the Panel is to periodic inspection of keeping them free of dust and water.

## SPARES AND ASSEMBLIES AVAILABLE FOR THIS PANEL

PART DESCRIPTION	SPECIFICATION	PART NO
Magnum Digital Voltmeter with Phase Indicator- Red	(30 - 500) V	IPIVR
Magnum Digital Ammeter with Phase Indicator- Blue	(0 - 100) V	IPIAB

## Warranty Policy

1. This product carries a warranty, against manufacturing defects only for a period of **12 months** from the **date of** manufacturing.
2. The warranty is however subject to provision of proper usage, efficient maintenance and **does not cover** defects arising out of **fire accident, Voltage Surge, Inefficient maintenance, faulty operation and willful or accidental damage**. Warrant is not covered for charred or burnt components at all.
3. The company will not be liable for any consequential loss, injury or damages attributable to defect or failure of its products.
4. We believe in our products and hence provide you with product guarantee, should it prove to be defective due to faulty workmanship or otherwise, we will remedy the defect or replace the faulty parts or the whole product at our discretion, as soon as possible, free of cost.
5. This product is made from quality raw materials and skilled assemblers. We believe in our product and hence provide you with this warranty of 12 months.
6. Proof of purchase (Invoice) is to be produced to avail the warranty.